

1/4" Color CCD DSP High-Resolution PTZ Dome Camera



VCC-P9575P
PAN-FOCUS
Technology in Perspective

- PTZ Control (Coaxial and RS-485)
- 520-TVL Resolution
- Built-in UTP Video Transmission Connectivity
- PTZ Control & Remote

16 Preset Positioning and Sequential Monitoring Functions (with different settings for pan, tilt and zoom).



Built-in Communication Board

SSP + Twisted pair board

Communication protocol:

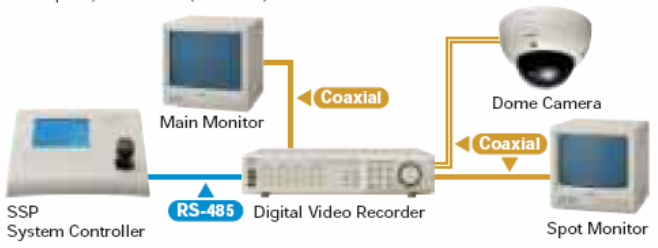
Coaxial control: SSP / H-SSP / PELCO-C

RS485: SSP / H-SSP / PELCO-D

NVT Twisted pair terminal (CAT 5) for video signal:
NVT built-in UTP video

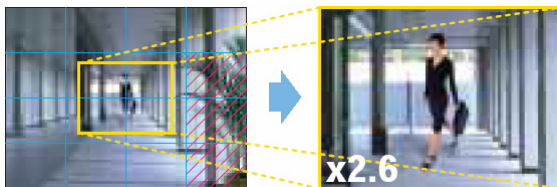
SSP (RS-485) compatible

By using SSP (SANYO Security Serial Protocol), cameras and DVRs can be controlled with just one controller over a daisy chain connection up to a maximum of 254 devices. The maximum cable length (total length of the daisy chain path) is 1200 m (400 feet).



Flexible Motion Detection

Sensing is performed by splitting the field of view into 16 areas. Movement and brightness levels within the picture are analyzed to accurately detect surveillance targets. Upon detection, the camera sends an alarm status signal and captures the object at zoom magnifications of up to x2.6. Fine adjustments of settings such as sensitivity, tracking time, zoom ratio and areas not requiring detection can also be made.



Areas with swaying trees or flickering light, etc. can be eliminated to avoid false alarms. Surveillance of the detected object can be conducted at a zoom magnification of x1.0, x1.4, x2.0 or x2.6.

Caution: Please consult the instruction manual to ensure safe and proper operation of the product.



DI Solutions Company of Sanyo Electric Co., Ltd. obtained Quality Management System ISO9001 and Environmental Management System ISO14001 certifications.

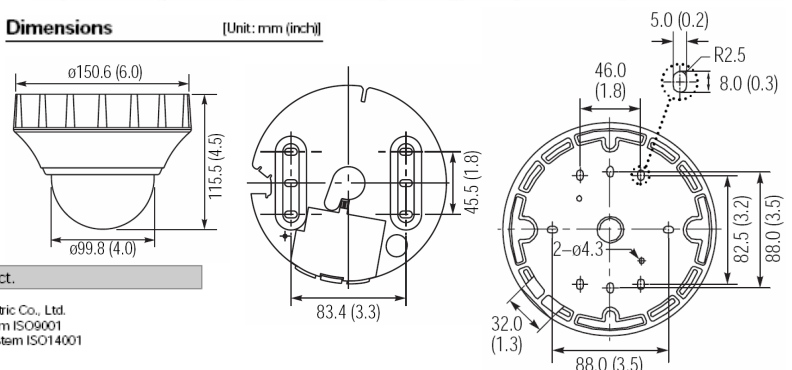
Specifications

Model No.	VCC-P9575P
Scanning system	PAL standard 625 lines, 50 fields/sec.
Image sensor	1/4" Interline transfer method CCD (3.6 x 2.7 mm)
Number of pixels	Total: 759 (H) x 596 (V), Effective: 752 (H) x 582 (V)
Horizontal resolution	More than 520 TV lines
Minimum illumination (approx.)	20 IRE: 0.76 lx at max. AGC, with F1.9 lens, color mode 50 IRE: 1.9 lx at max. AGC, with F1.9 lens, color mode
Video output	1.0 Vp-p/75 ohms, composite
Video S/N ratio	More than 50 dB (AGC Off)
Backlight compensation	On (multi-spot metering [High/Normal], center-zone metering) / Off
White balance	ATW / AWC / Manual (MWB) / Indoor (3200) / Outdoor (5600) / Fluorescent (FLUO)
Gain control	High / Normal / Off
Gamma	0.45 / 1
Lens	Built-in motorized zoom pan-focus auto iris lens, f=2.8-7.3 mm (x2.6), F1.9 -3.0
Electronic shutter	1/50, 1/120, 1/250, 1/500, 1/1000, 1/2000, 1/4000, 1/10000 sec.
Motion detector	On / Off: Motion zoom function
Privacy masking	On / Off: Max. 8 masked locations
Alarm input	2 (NO / NC), Alarm preset function, Alarm zoom function
Alarm output	1 (NO / NC)
Character display	On / Off, Camera ID max. 16 characters, adjusting position
Synchronizing system	Internal synchronization / Line lock
Aperture compensation	High plus / High / Normal / Off
Environmental conditions	Operating: Temperature: -10 to +40°C (+14 to +104°F), Humidity: 35 to 90% RH Storage: Temperature: -20 to +70°C (-4 to +158°F), Humidity: within 70% RH
Menu	On screen display, password lock possible
Auto mode	Sequential pan / Auto pan
Panning range	Ceiling: 0 to 335° Wall: -55 to 55°
P/T speed	Max. 120 deg/sec. at preset, 5-100 deg/sec. at manual
Tilting range	Ceiling: 0 to 90° Wall: 0 to -90°
Preset positions	16
Communication protocols	Coaxial control: SSP / H-SSP / PELCO-C RS-485: SSP / H-SSP / PELCO-D Video out: Coaxial cable / Category 5 LAN cable (NVT built-in UTP video) NVT
Power supply	12-15V DC / 24V AC ±10%, 50 Hz
Power consumption	7.0W
Dimensions (Dia. x H)	ø150.6 x 115.5 mm (ø6.0 x 4.5 in.)
Weight (approx.)	640 g (1.4 lbs.) [without options]

* Specifications subject to change without notice. * Comparative images are representations only.

Dimensions

[Unit: mm (inch)]



* Due to continuous product enhancement, Sin Chew Alarm reserves the right to change / modify specification without prior notice.