

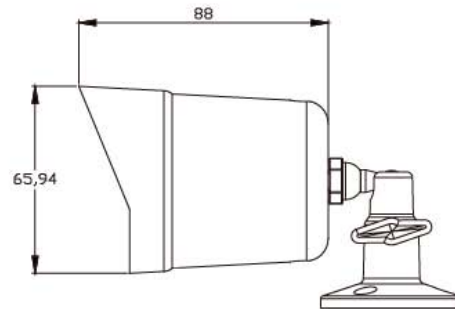
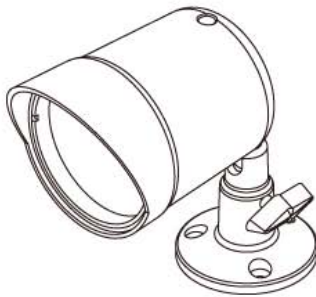
# HTC-7QQ 15M IR CAMERA

## Main Features

- IR Distance: 15 M
- Weather Proof: IP68
- Day / Night Function



## Interface



## Specifications

ITEM	HTC-7QQ	
PICK UP DEVICE	1/3" CCD Image Sensor	
SYSTEM	NTSC	PAL
PICTURE ELEMENTS H*V	510 * 492	500*582
H. SYNC. FREQUENCY	15.734KHz	15.625KHz
V. SYNC. FREQUENCY	59.94Hz	50Hz
HORIZONTAL RESOLUTION	420 TV Lines	
SCANNING SYSTEM	2:1 Interlace	
SENSITIVITY	0 Lux When IR On	
SYNCHRONIZATION	Internal	
S/N RATIO	More Than 48 dB (AGC Off)	
BACK LIGHT COMPENSATION	Auto	
ELECTRONIC SHUTTER	Auto; Range 1/50(1/60) Up to 1/100,000 sec.	
GAIN CONTROL	Auto	

ITEM	HTC-7QQ
GAMMA	0.45
LENS	f=3.6mm , F2.0(6.0 , 8.0 Optional)
LED	28 Unit 850nm infrared LED, 10000hrs
IR DISTANCE	15M
VIDEO OUTPUT	1 Vpp, 75 Ohms
WEATHER PROOF IP RATING	IP 68
POWER SUPPLY	DC12V
POWER CONSUMPTION	360 mA(IR ON)
DIMENSIONS ( φ*H)	φ65 x 88 mm
WEIGHT	260g
STORAGE TEMPERATURE	-30 To + 60 °C
OPERATING TEMPERATURE	-10 To + 45 °C

SPECIFICATIONS ARE SUBJECT TO CHANGE WITHOUT NOTICE

\* Due to continuous product enhancement, Sin Chew Alarm reserves the right to change / modify specification without prior notice.