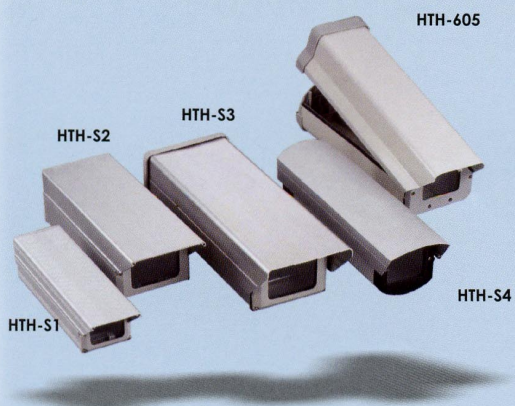


CAMERA HOUSINGS



Models	HTH-S1	HTH-S2	HTH-S3	HTH-S4	HTH-605
Plate Glass	2mm	5mm	5mm	2mm	2mm
Construction	Aluminum	Aluminum	Aluminum	Aluminum	Aluminum
Proposal	INTERNAL	INTERNAL	EXTERNAL	EXTERNAL	EXTERNAL
Heater	NO	NO	Option	Option	Option
Fan	NO	NO	Option	Option	Option
Clear Windows Area	56*45	86*60	84*61	62*56	73*64
External Size (D)mm Peak	330	340	435	385	375
(D)mm	290	295	385	330	345
(W) mm	80	123	110	103	142
(H) mm	70	95	128	98	115
Weight gr	700	1,300	2,450	1,150	1,600
Maxi Size For Camera With Lens					
(D) mm	190	220	200	250	300
(W) mm	67	102	103	75	75
(H) mm	58	82	82	65	90

FEATURES

Heater and fan available (option)
Reasonable price
Easy to install

SPECIFICATIONS ARE SUBJECT TO CHANGE WITHOUT NOTICE

Accessories

CAMERA BRACKETS

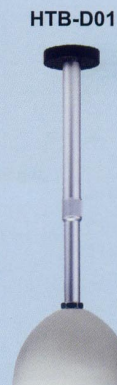


FEATURES

Easy to install
Various options
Reasonable price

REMARK

- HTB-1010/7
without rod = 58mm
with 1 rod = 88mm
with 2 rods = 118mm
- HTB-B01: extension from 295 to 415mm
HTB-B02: extension from 550mm to 1050mm
- HTB-D01: extension from 390 to 510mm
HTB-D02: extension from 640 to 445mm



MODEL HTB-	2010/1	B01	B02	B03	1010/1	1010/5	1010/6	1010/7	D01	D02	D03
Maxi Load kg	10	5	5	3	10	5	5	3	5	3	3
Construction	Aluminum				ABS			Steel			
Swivel Angel	360°	360°	360°	360°	360°	360°	360°	360°	360°	360°	360°
Tilt Angel	90°	90°	90°	90°	90°	90°	90°	90°	NA	NA	NA
Screw Size	1/4"	1/4"	1/4"	1/4"	1/4"	1/4"	1/4"	1/4"	NA	NA	NA
Dimensions (L) mm	290	415	1040	72	285	165	172	*	390	650	230
(H) mm	98	φ 69	φ 69	φ 50	97	φ 90	φ 90	φ 45	φ 144.8	φ 144.8	215
(W)mm	87	--	--	--	76	--	--	--	φ 144.8	φ 144.8	φ 144.8
Weight gr	750	220	330	75	800	180	180	180	635	735	635

SPECIFICATIONS ARE SUBJECT TO CHANGE WITHOUT NOTICE