

Door Access Controller

HDS 2000 Series

Standard Features :



- 64 controllers max. for 1 RS485 port
- Support online computer polling
- 30 Time Zones
- Door and Sensor relays
- Card capacity : 6500
- Transaction storage : 10000
- Communication : RS485 / 19200 bps
- Power : 12V DC \pm 10%
- Consumption : 500mA max
- Backup battery : optional
- Board Dimension : 234 x 126 x 44 mm
- Weight : 800 g

HDS2201 : Single Door Access Controller

- 1 door relay output (NC/NO)
- 1 door sensor input (NO)

HDS2202 : 2 Doors Access Controller

- 2 door relays output (NC/NO)
- 2 door sensors input (NO)

HDS2204 : 4 Doors Access Controller

- 4 door relays output (NC/NO)
- 4 door sensors input (NO)

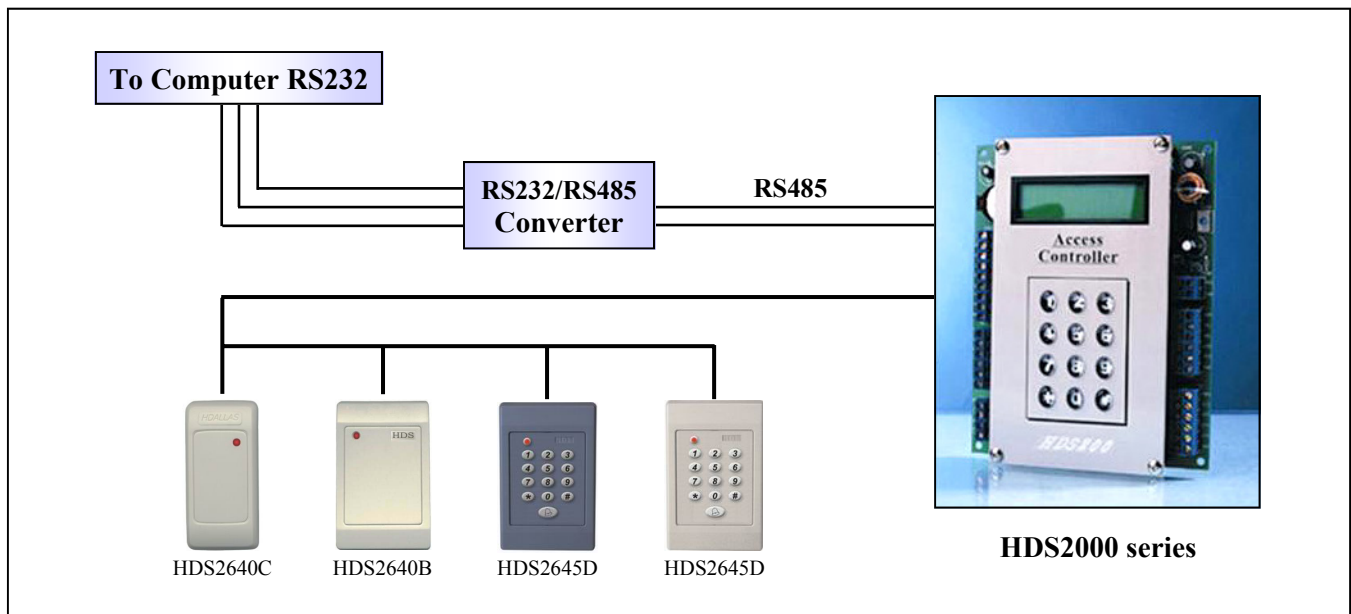
HDS2000 is a new design and state-of-the-art 4 door access controller. It is a perfect low cost solution for today Intelligent Building.

HDS2000 works with various unit settings, according to the security level required at the location of the unit. HDS2000 is used to control and record employee entry / exit in or out of restricted areas. The recorded data may be automatically fed into an access control program, security program, statistical analysis or any other application.

Communication mode :

Reader is connected with HDS2000 in RS485 mode with maximum 1200m straight-line distance. HDS2000 is connected with management computer in RS485 mode with maximum 1200m straight-line distance. Telecommunication cable is the required two-core shielding line, wire resistance is 24 W/1000ft max. Recommended cable is Belden 9501, Alpha 5471C or equivalent.

Connection Diagram for 4 doors



* Due to continuous product enhancement, Sin Chew Alarm reserves the right to change / modify specification without prior notice.